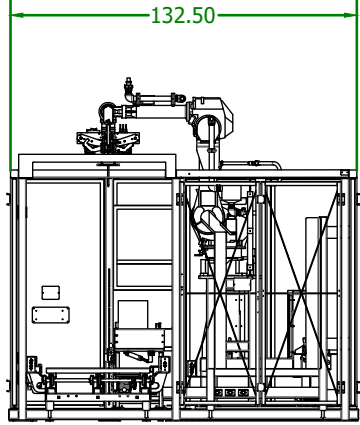
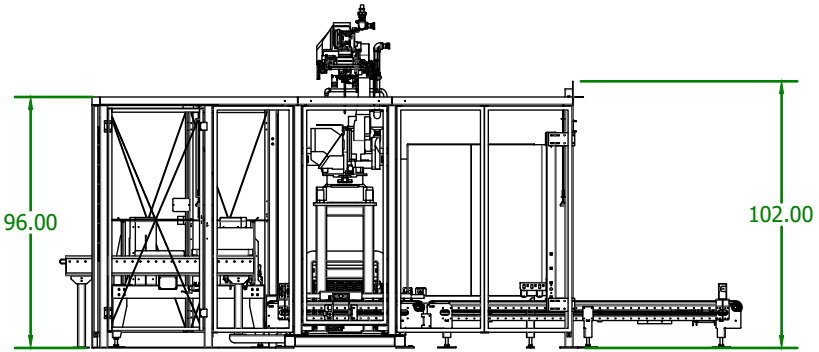
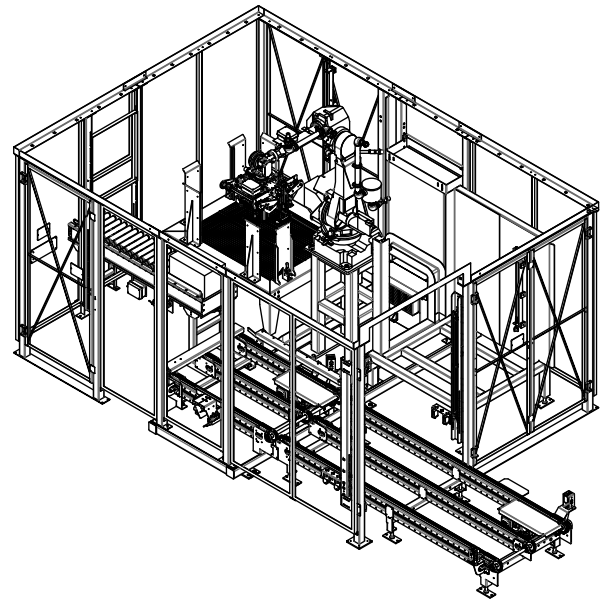
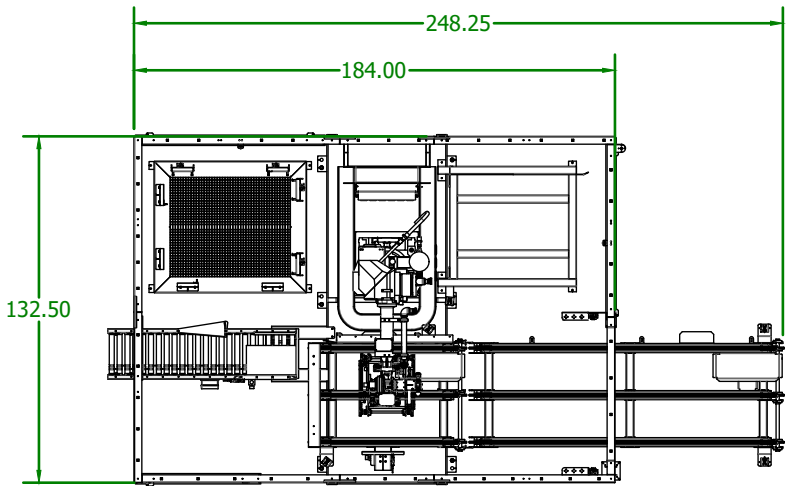


4

3

2

1



- ALL WELDS PER AWS STANDARDS.
- CORNERS WHERE SHOWN TO BE GROUND TO APPROX. 1/8" RADIUS.
- DEBURR AND BREAK ALL SHARP EDGES.

UNLESS OTHERWISE SPECIFIED

UNLESS OTHERWISE NOTED  
 ALL DIMENSIONS IN INCHES  
 SHEETMETAL BEND ± .03  
 DECIMAL:  
 .XX ± .03  
 .XXX ± .010  
 ANGULAR ± 0.5°  
 MACHINE SURFACE 250 µin  
 PERPENDICULARITY ± 0.5°  
 FLATNESS ± 0.375" in 120"



**PEARSON**  
 PACKAGING SYSTEMS

8120 W Sunset Highway  
 Spokane, Washington 99224  
 www.pearsonpkg.com

TITLE COMPACT PALLETIZER D			
DR.	braineri	2/5/2020	DWG. NO.
DES.			<b>Compact Palletizer D</b>
DWG. SIZE	B	REVISION: A	SHEET 1 OF 1

PROPRIETARY: Neither this document nor the information contained therein may be reproduced or disclosed to anyone without the written permission of R. A. Pearson Co.

SIMILAR TO:

4

3

2

1