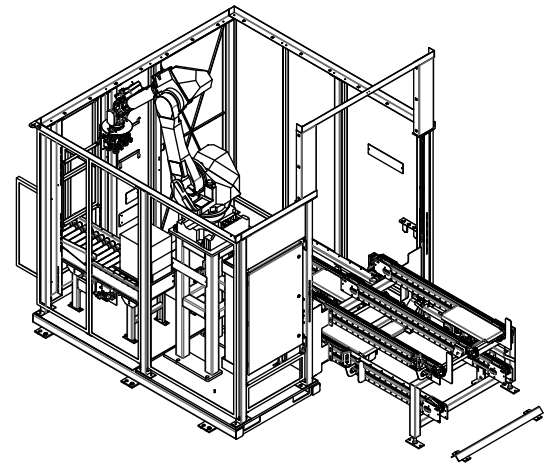
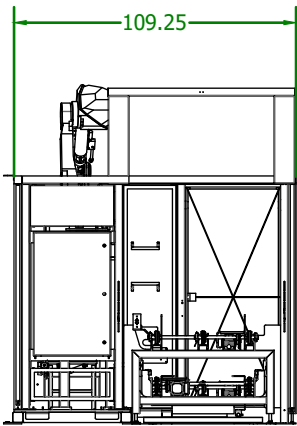
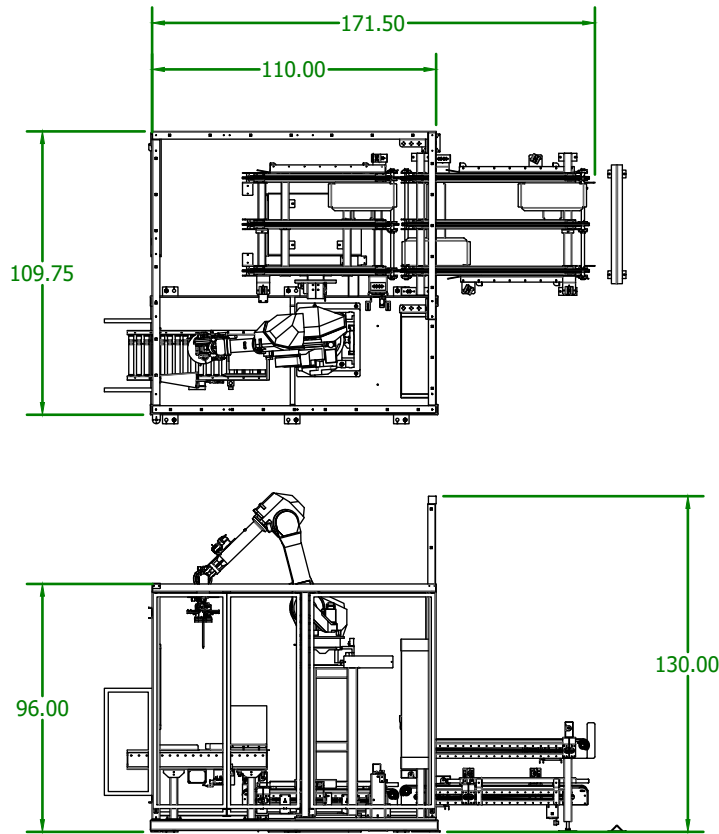


4

3

2

1



- ALL WELDS PER AWS STANDARDS.
- CORNERS WHERE SHOWN TO BE GROUND TO APPROX. 1/8" RADIUS.
- DEBURR AND BREAK ALL SHARP EDGES.

UNLESS OTHERWISE SPECIFIED

SIMILAR TO:

PROPRIETARY: Neither this document nor the information contained therein may be reproduced or disclosed to anyone without the written permission of R. A. Pearson Co.

UNLESS OTHERWISE NOTED
 ALL DIMENSIONS IN INCHES
 SHEETMETAL BEND ± .03
 DECIMAL:
 .XX ± .03
 .XXX ± .010
 ANGULAR ± 0.5°
 MACHINE SURFACE 250 μin
 PERPENDICULARITY ± 0.5°
 FLATNESS ± 0.375" in 120"



PEARSON
 PACKAGING SYSTEMS

8120 W Sunset HighWay
 Spokane, Washington 99224
 www.pearsonpkg.com

TITLE COMPACT PALLETIZER C			
DR.	braineri	2/6/2020	DWG. NO.
DES.			Compact Palletizer C-02
DWG. SIZE	B	REVISION: A	SHEET 1 OF 1

4

3

2

1