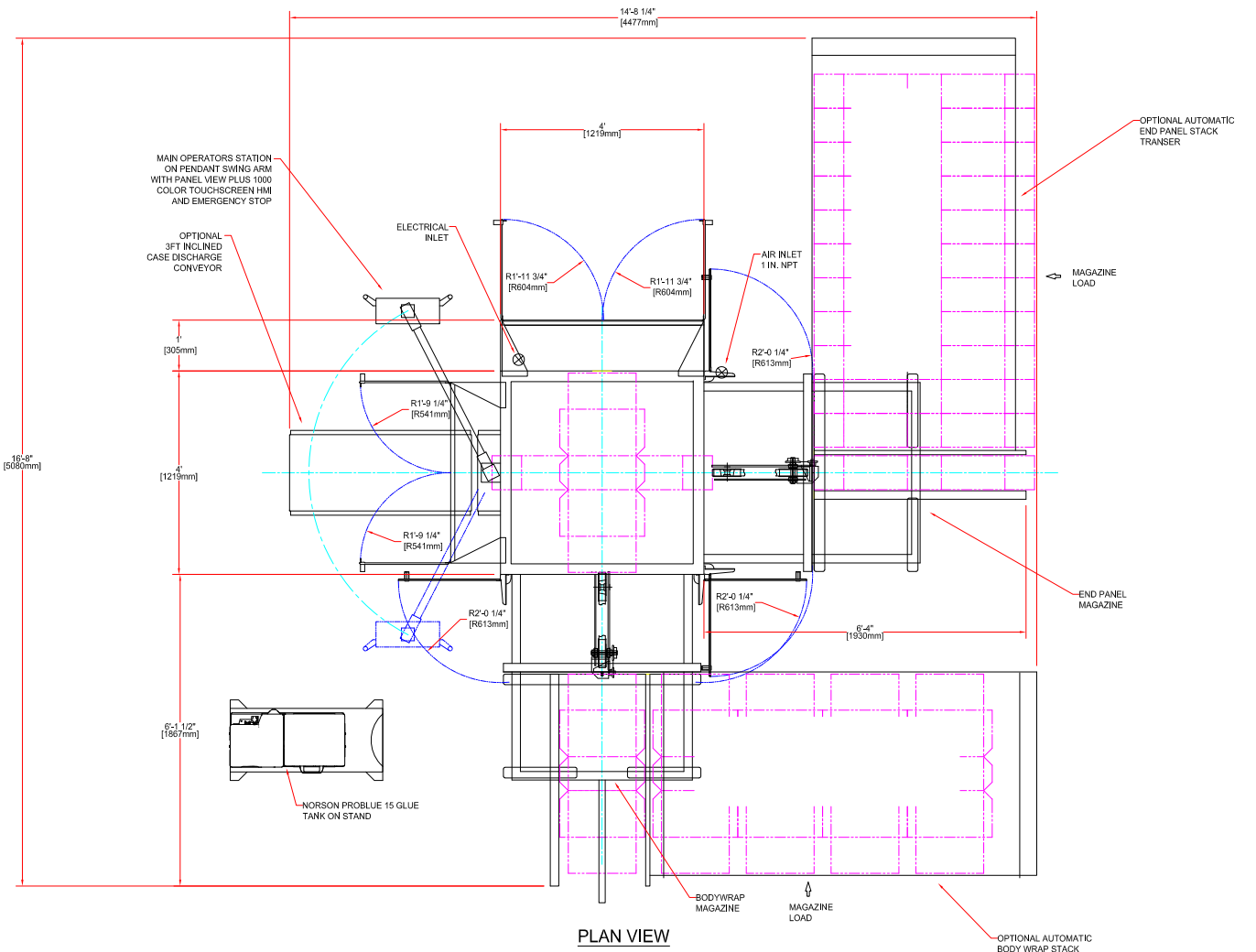
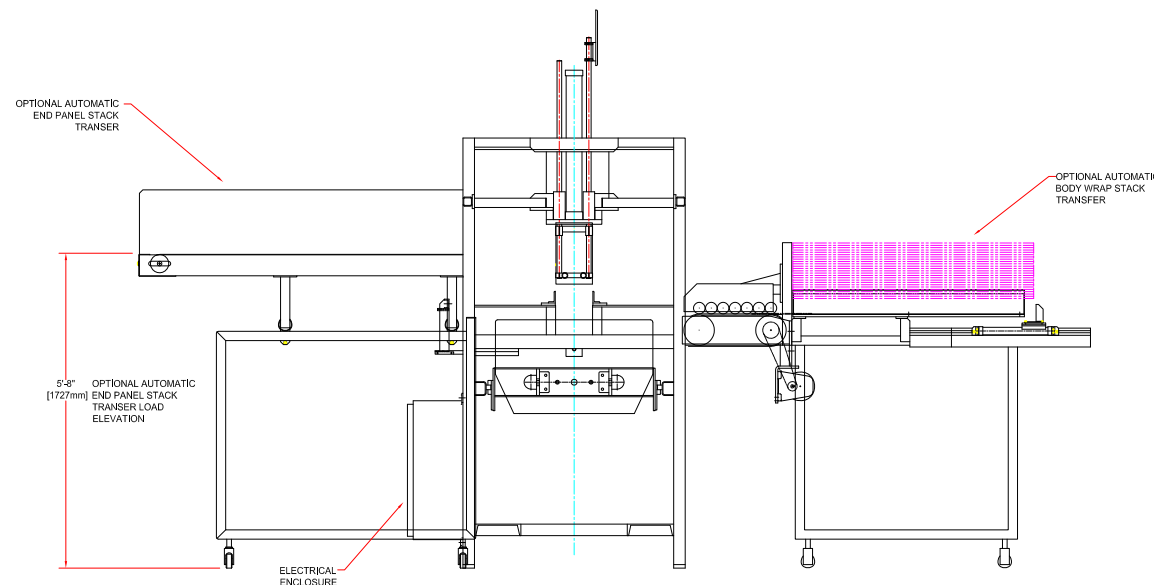


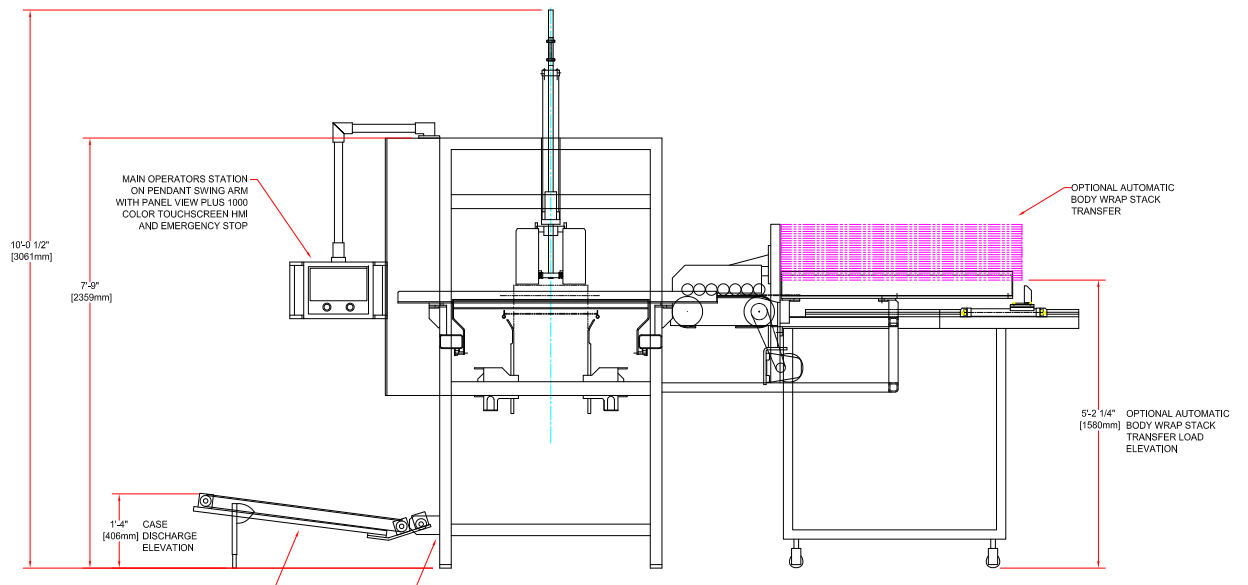
BLISS CASE FORMING SEQUENCE



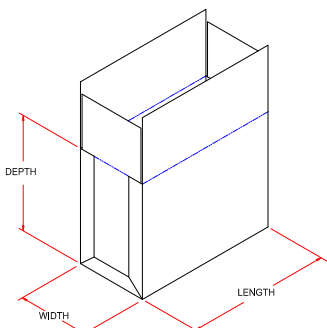
PLAN VIEW



END VIEW



ELEVATION VIEW



FORMED CASE SIZE

STANDARD FORMED CASE RANGE		
	MINIMUM	MAXIMUM
LENGTH	8.37(233)	25.07(636)
WIDTH	8.07(203)	12.07(305)
DEPTH W/O FLAPS	4.07(102)	14.07(356)
DEPTH W/ FLAPS	4.07(102)	20.07(508)

UTILITY REQUIREMENTS
 AIR REQUIREMENTS: 3.59 SCF/CYCLE @ 80 PSI (0.102 m³/CYCLE @ 551.2 KPa)
 ELECTRICAL REQUIREMENTS: 460 V/3 PHASE/60 Hz STANDARD
 FULL LOAD AMPS - 14 AMPS
 DISCONNECT SIZE - 30 AMP

POWER REQUIREMENTS PROVIDED ARE FOR A BASE MACHINE AND CUSTOM OPTIONS MAY RESULT IN CHANGES.
 MACHINE WEIGHT (APPROXIMATE): 5,200 LBS. (2356 Kg) (BASE MACHINE ONLY)
 MACHINE SPEED: SEE ORDER SPECIFICATION

PRELIMINARY

(ALL DIMENSIONS ARE APPROXIMATE AND MAY VARY WITH FINAL DESIGN)

PROPRIETARY
 NEITHER THIS DOCUMENT NOR THE INFORMATION CONTAINED THEREIN MAY BE REPRODUCED OR DISCLOSED TO ANYONE WITHOUT THE WRITTEN PERMISSION OF R.A. PEARSON CO.

DATE	REVISION	REV. NO.	REV. BY	CHKD BY
3/25/18	PV 1000 WAS 700, UP-DATE ELEC UTILITY INFO		K.A.	
12/8/16	SHOW DISCHARGE CONVEYORS AS OPTIONAL		K.A.	

2' - 2 7/16" 672

DIMENSIONS ARE IN FOOT FRACTION INCH OVER MILLIMETERS.

PEARSON PACKAGING SYSTEMS

8120 WEST SUNSET HIGHWAY
 SPOKANE, WASHINGTON 99224
 WWW.PEARSONPKG.COM

TITLE: **BF30-2PB BLISS FORMER**

DR.	K.A.	4/22/16	DWG. NO.	771683
CHK.				
APP.			SCALE	SHEET