

Bliss Boxes



Real Partners. That Simple.
Collaboration | Integration | Guaranteed Results

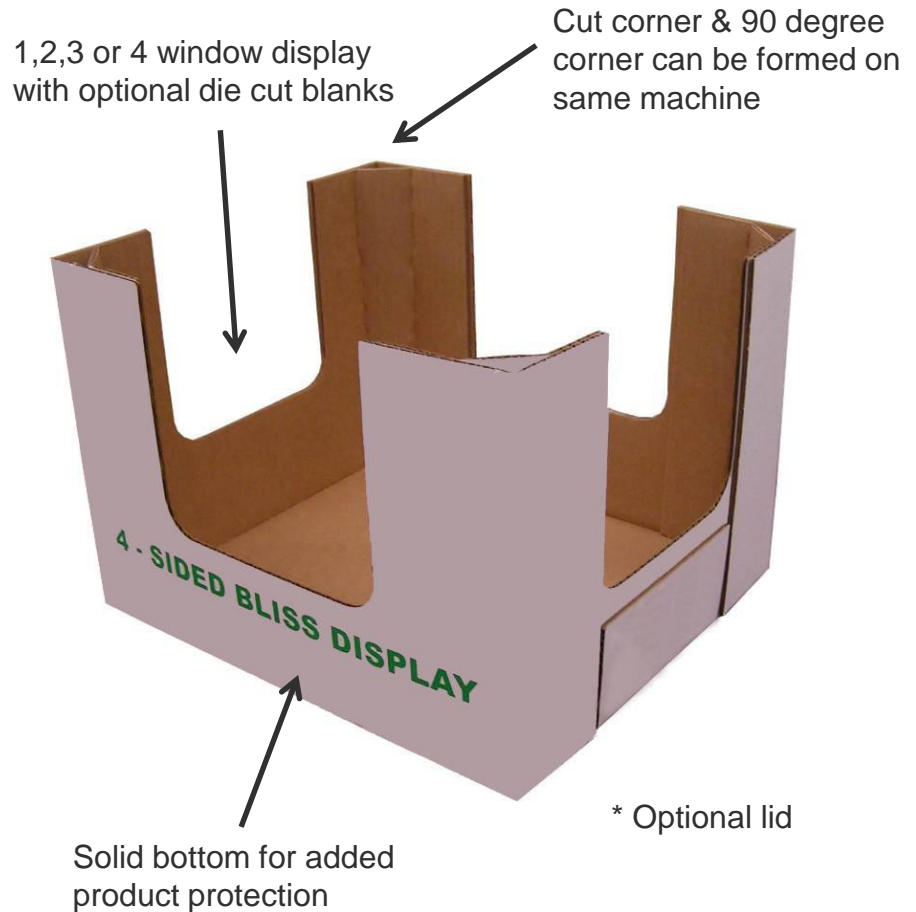
Overview

What are they?

- Durable boxes with high-stacking strength
- For shipping and display
- Ideally-suited for heavy, non-self supporting products that risk being damaged when palletized

How are they made?

- 2 or 3 pieces of cut corrugate
- Body wrap makes up bottom and 2 sides
- End panel or H-divider with internal flanges forming laminated corners
- External flanges for hot melt glue application securing pieces together
- Vertical flutes for added strength

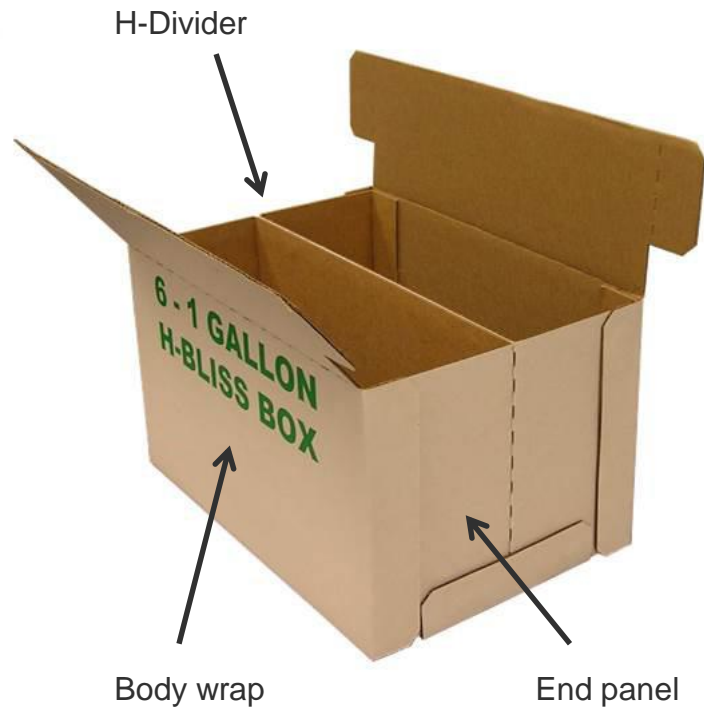


Benefits

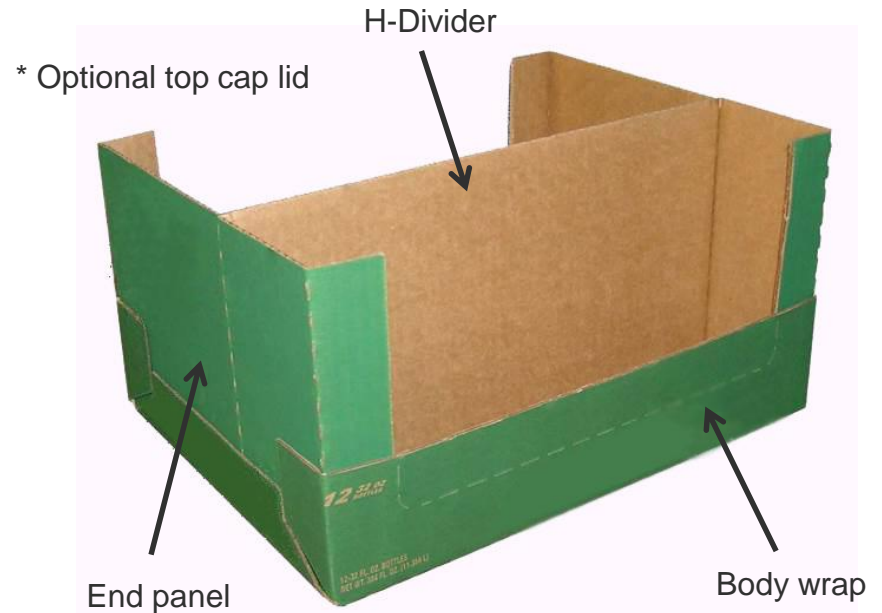
Features	Benefits
One Piece Bottom	Greater strength for product protection
Laminated Corners	Rigidity and higher stacking strength
Material-efficient Typically requiring less material than regular slotted containers (RSCs)	Corrugate savings
Cut outs possible on all sides	Fulfill Big Box store requirements for retail-ready displays
Wide range of styles available	Ideal for shipping <u>and</u> retail-ready display for a variety of products

2-Piece Bliss with H-Divider

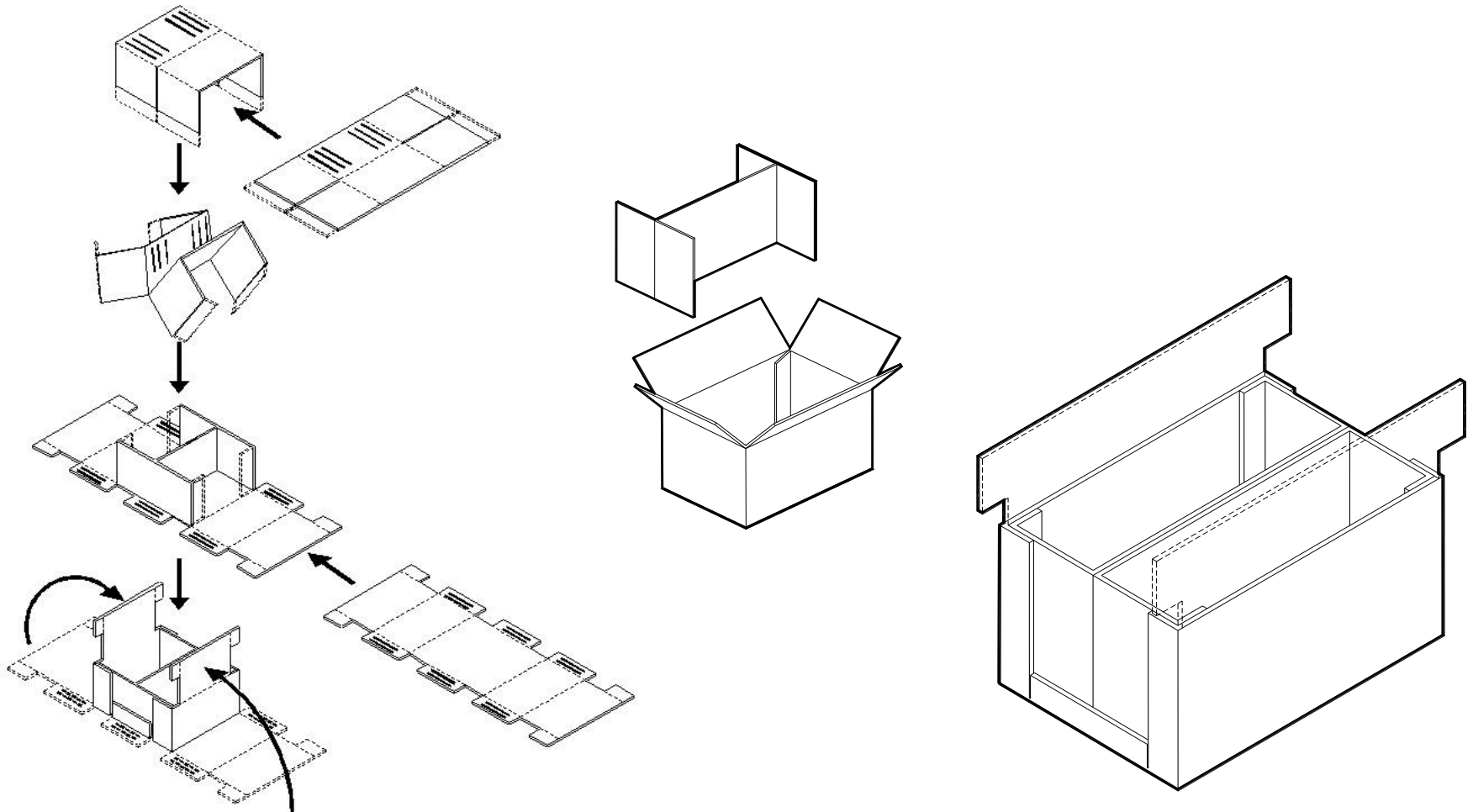
Shipper Style



Display Style

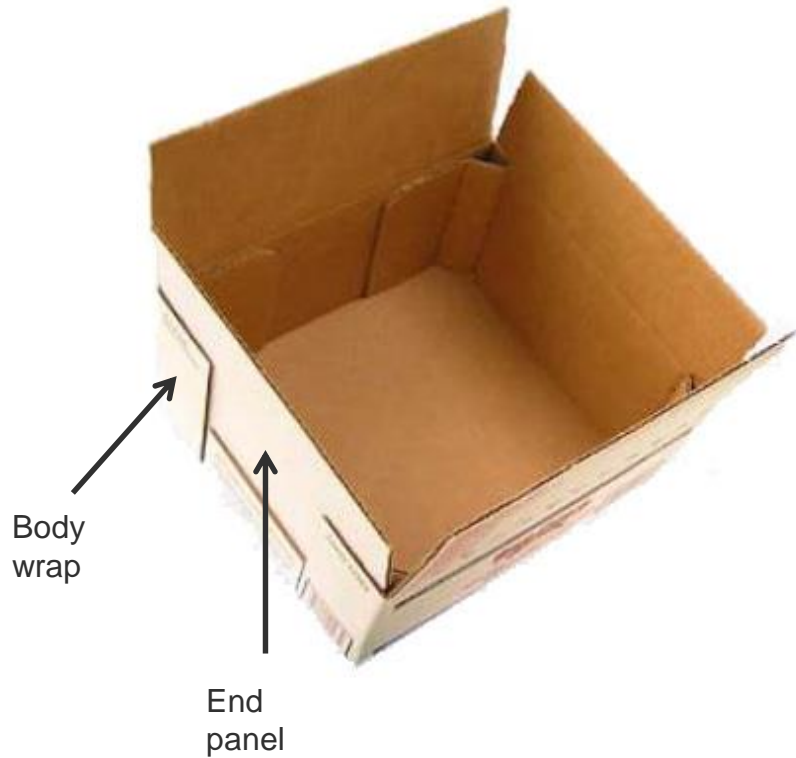


2-Piece Bliss with H-Divider Forming Sequence

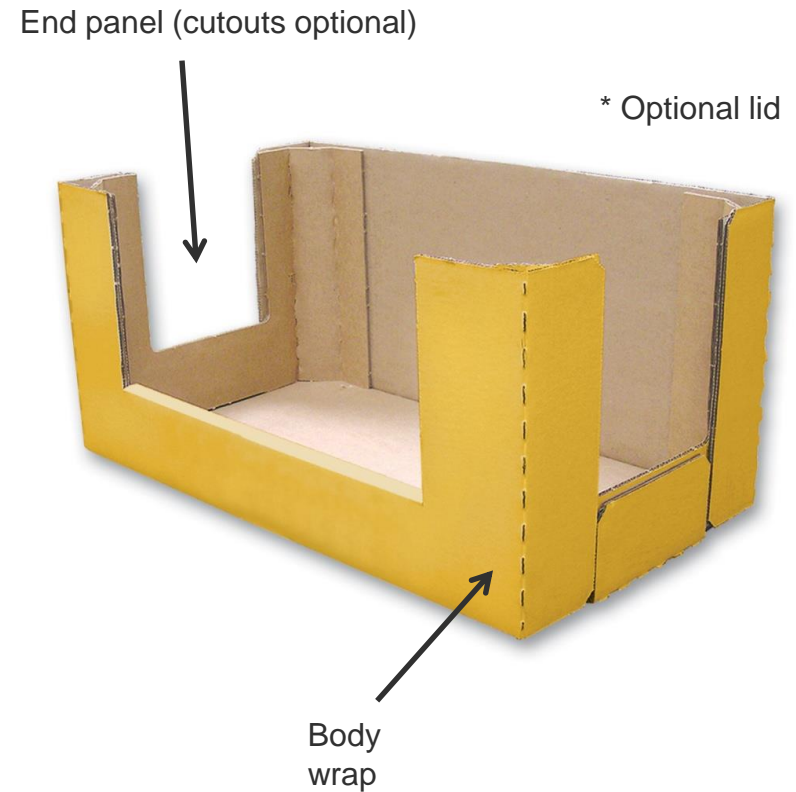


3-Piece Bliss

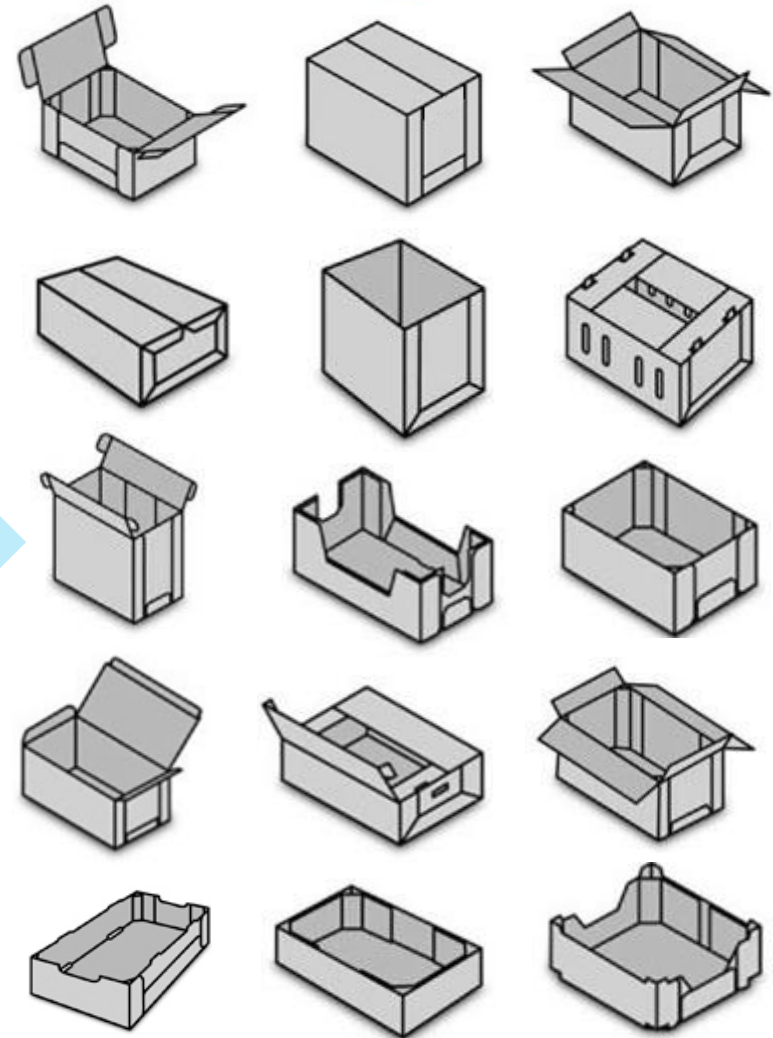
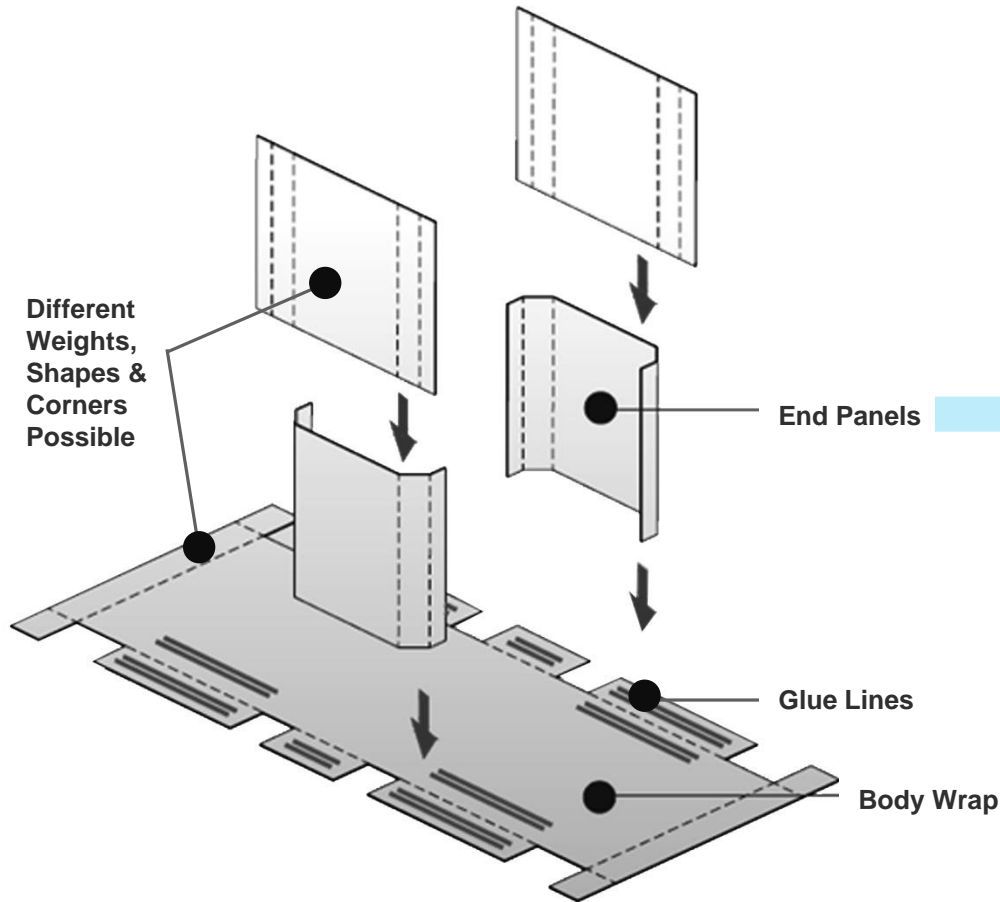
Shipper Style



Display Style



Three-Piece Bliss Box



Wide range of shipping and Retail Ready Styles

Pearson Bliss Former Line & Capabilities



BF25-GH

2-Piece Bliss with H-Divider



BF30-G

3-Piece Bliss



BF40-3PB

3-Piece Bliss

- Fully-automatic, ruggedly built and highly efficient for high volume operations

Contact Information

To learn more about the benefits of bliss boxes and Pearson's Bliss Former line, please visit our website at:

<http://pearsonpkg.com/>

or contact us at [509-838-6226](tel:509-838-6226) or toll-free at [800-732-7766](tel:800-732-7766)

We look forward to discussing your specific application needs.